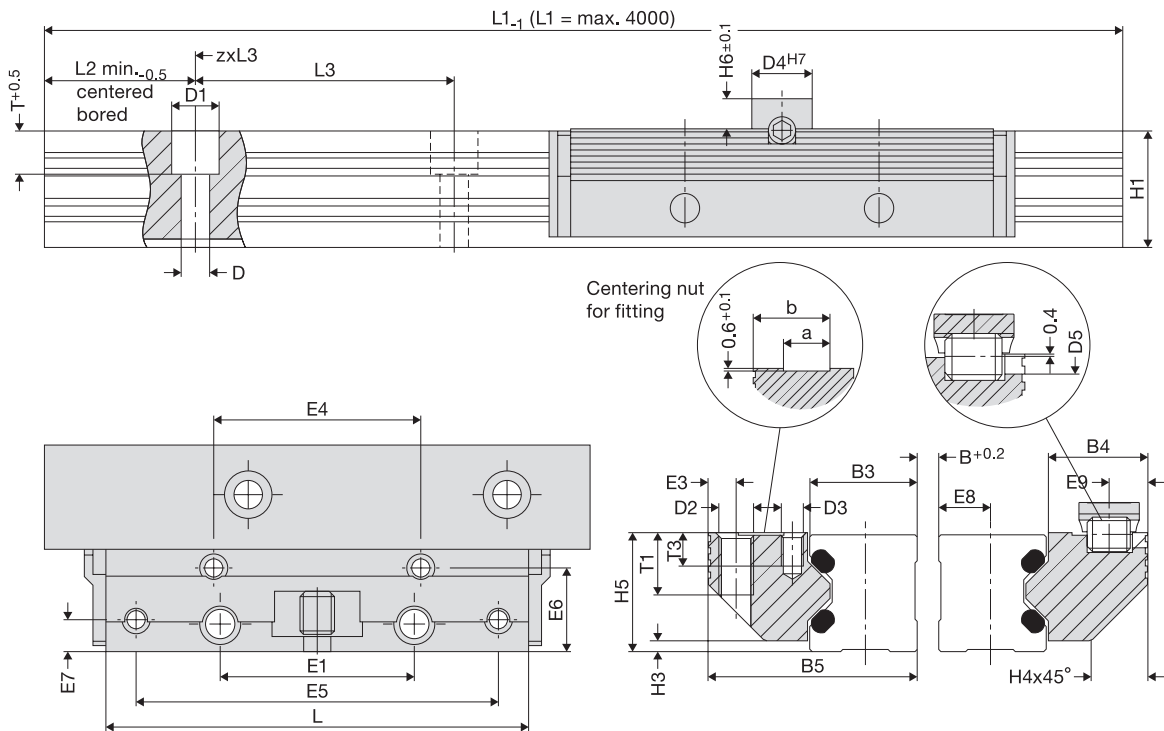




Pair of roller shoes + pair of single rails



Dimensions

Size	Dimensions mm																	
	B5	H5	B3	B4	D3	D4	D5	E3	E4	E5	E6	E7	E8	E9	H6	T3	a	b
12	24.4	15.0	12.00	11.9	M 3	8	3	3.4	29	57	9.7	3.4	5.5	4.9	4	6.0	4.5	9.5
15	30.9	19.0	15.25	15.2	M 4	10	4	4.4	34	68	12.4	4.9	7.0	5.9	5	7.5	5.0	12.5
20	40.9	23.0	20.00	20.4	M 5	10	4	4.9	42	80	16.9	5.9	9.5	5.9	5	8.0	7.5	16.0
25	48.4	27.5	25.00	22.9	M 5	14	6	6.4	48	84	19.4	7.4	12.0	8.9	7	5.0	10.5	17.5
35	68.9	37.5	35.00	32.9	M 6	14	6	8.9	67	117	28.4	8.9	17.0	8.9	7	7.5	12.5	26.0
45	82.4	46.5	45.00	36.4	M 8	14	6	9.9	83	146	30.9	9.9	22.0	8.9	7	9.5	15.5	31.0

Load ratings, weight

Size	Load rating		Moment load rating* RSP					Weight	
	N	C	Nm					RSP	Rail/m
			M_{0cx}	M_{cx}	M_{0cy}/M_{0cz}	M_{cy}/M_{cz}			
12	2800	3000	1.5 (B+30.3)	1.4 (B+30.3)	43	40	0.07	0.4	
15	4200	3400	1.7 (B+36.5)	2.1 (B+36.5)	58	72	0.12	0.8	
20	5400	5400	2.7 (B+47.0)	2.7 (B+47.0)	111	111	0.23	1.0	
25	9000	10100	5.0 (B+58.4)	4.5 (B+58.4)	222	198	0.34	1.9	
35	12500	18000	9.0 (B+85.0)	6.3 (B+85.0)	559	388	0.99	3.5	
45	21200	25900	12.9 (B+109.0)	10.6 (B+109.0)	983	806	1.79	5.6	

*See technical information for more information on moment load ratings

Order numbers

Order no.	Order code
RSP	Pair of single rails
84495A	e.g. FDA 25 E 1500
84395A	
84442A	
84367A	
84368A	
84369A	Single rail
84369A	Size

**Guide rails in one piece up to 4000 mm. Longer stroke lengths are coupled.