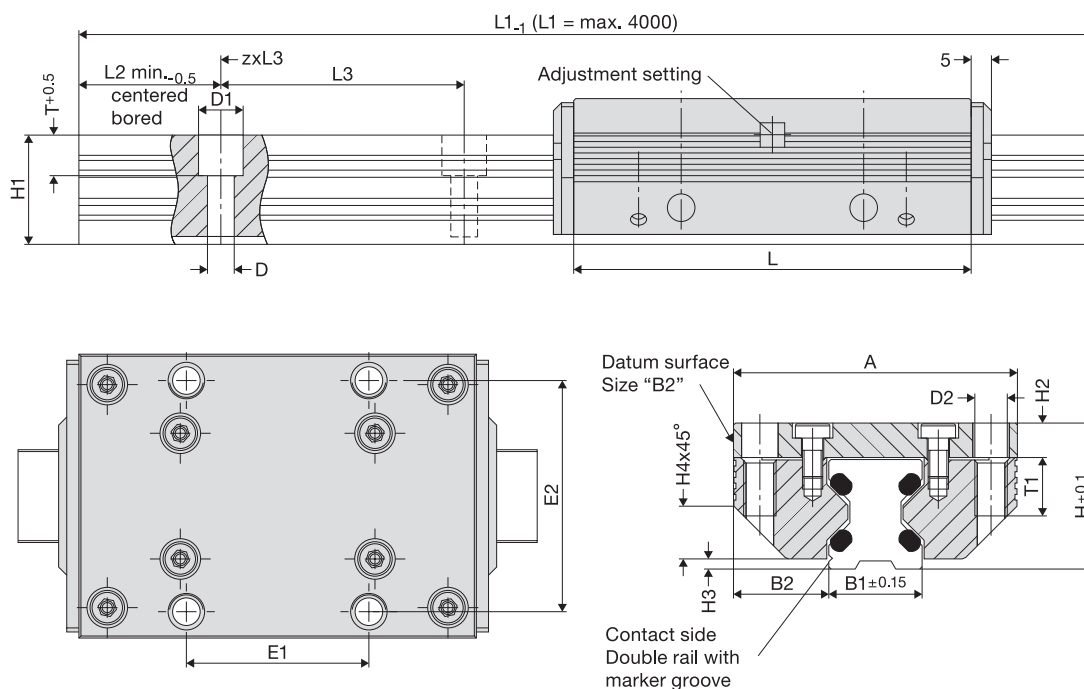


Linear guides

Aluminium roller guide Franke Dynamic

Type FDC/Non-Corrosive

Cassette + double rail



Dimensions

Size	Dimensions mm																		
	A	L	H	B1	B2	D	D1	D2	E1	E2	H1	H2	H3	H4	L2	L3	T	T1	
12	37	64	19	12.0	12.50	3.4	6	M 4	25	30	14.7	4.0	1.4	5.5	10	40	5.5	8	
15	47	78	24	15.5	15.75	4.5	8	M 5	30	38	18.7	5.0	2.0	8.0	10	60	6.0	10	
20	63	92	30	21.0	21.00	5.5	10	M 6	40	53	22.6	7.0	2.0	11.0	10	60	8.0	12	
25	70	98	36	23.0	23.50	6.6	11	M 8	45	57	27.0	8.5	2.5	13.0	10	60	10.0	16	
35	100	135	48	32.0	34.00	9.0	15	M 10	62	82	37.0	10.5	3.5	20.0	12	80	11.5	20	
45	120	165	60	45.0	37.50	11.0	18	M 12	80	100	46.0	13.5	4.0	22.0	16	105	14.5	24	

Load ratings, weight

Size	Load rating N		Moment load ratings*, cassette Nm					Weight kg	
	C	C ₀	M _{0cx}	M _{cx}	M _{0cy} /M _{0cz}	M _{cy} /M _{cz}	Cassette	Rail/m	
12	1100	1200	11	10	17	16	0.1	0.4	
15	2700	3000	33	29	52	46	0.2	0.8	
20	4300	5000	71	61	103	89	0.4	0.9	
25	5800	8300	132	92	184	128	0.5	1.8	
35	10000	14500	343	237	452	312	1.4	3.2	
45	17000	20400	651	542	774	645	2.5	5.5	

Order numbers

Order no.	Order code
Cassette	Double rail
84494AN	e.g. FDC 25 D 1500
84396AN	
84441AN	
84363AN	
84364AN	
84365AN	

*See technical information for more information on moment load ratings

**Guide rails in one piece up to 4000 mm. Longer stroke lengths are coupled.