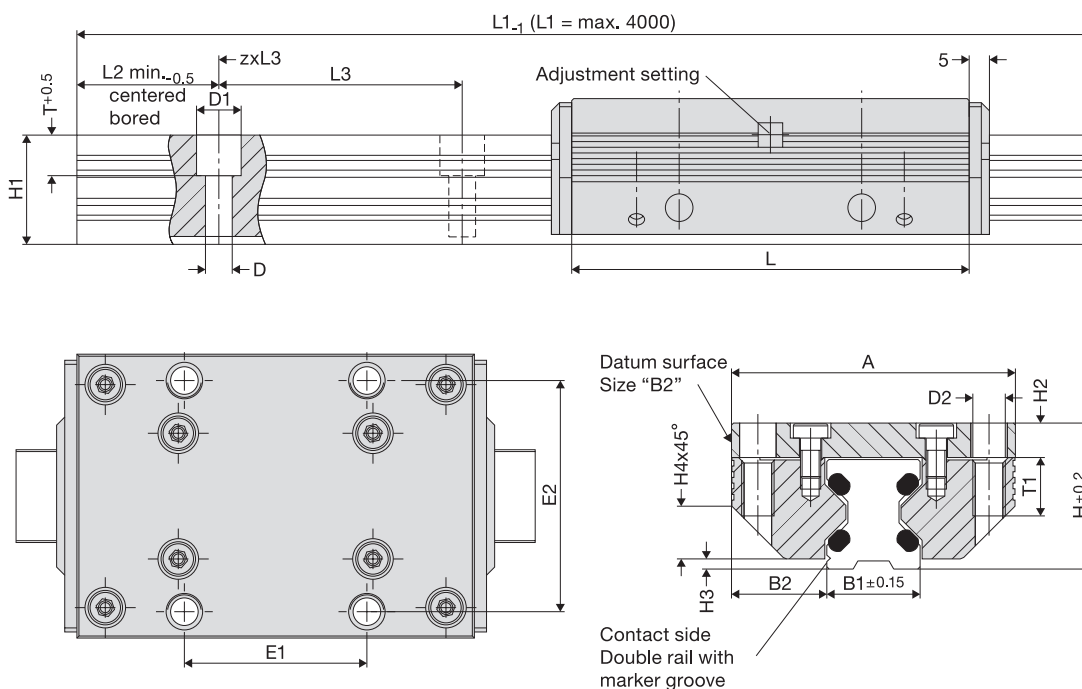


Linear guides

Aluminium roller guide Franke Dynamic

Type FDG/Non-Corrosive LowCost

Cassette + double rail



Dimensions

Size	Dimensions mm																		
	A	L	H	B1	B2	D	D1	D2	E1	E2	H1	H2	H3	H4	L2	L3	T	T1	
12	37	64	19	12.0	12.50	3.4	6	M 4	25	30	14.7	4.0	1.4	5.5	10	40	5.5	8	
15	47	78	24	15.5	15.75	4.5	8	M 5	30	38	18.7	5.0	2.0	8.0	10	60	6.0	10	
20	63	92	30	21.0	21.00	5.5	10	M 6	40	53	22.6	7.0	2.0	11.0	10	60	8.0	12	
25	70	98	36	23.0	23.50	6.6	11	M 8	45	57	27.0	8.5	2.5	13.0	10	60	10.0	16	
35	100	135	48	32.0	34.00	9.0	15	M 10	62	82	37.0	10.5	3.5	20.0	12	80	11.5	20	
45	120	165	60	45.0	37.50	11.0	18	M 12	80	100	46.0	13.5	4.0	22.0	16	105	14.5	24	

Load ratings, weight

Size	Load rating N		Moment load ratings*, cassette Nm					Weight kg	
	C	C ₀	M _{0cx}	M _{cx}	M _{0cy} /M _{0cz}	M _{cy} /M _{cz}	Cassette	Rail/m	
12	620	170	1.6	5.7	2.4	8.9	0.1	0.4	
15	700	230	2.5	7.5	4.0	12.0	0.2	0.8	
20	940	300	4.0	13.0	6.0	19.0	0.4	0.9	
25	1500	700	11.0	23.0	15.0	32.0	0.5	1.8	
35	3100	1400	32.0	72.0	42.0	95.0	1.4	3.2	
45	6300	2700	86.0	200.0	103.0	238.0	2.5	5.5	

Order numbers

Order no.	Order code
Cassette	Double rail
84494LN	e.g. FDG 25 D 1500
84396LN	
84441LN	
84363LN	
84364LN	
84365LN	Size

*See technical information for more information on moment load ratings

**Guide rails in one piece up to 4000 mm. Longer stroke lengths are coupled.